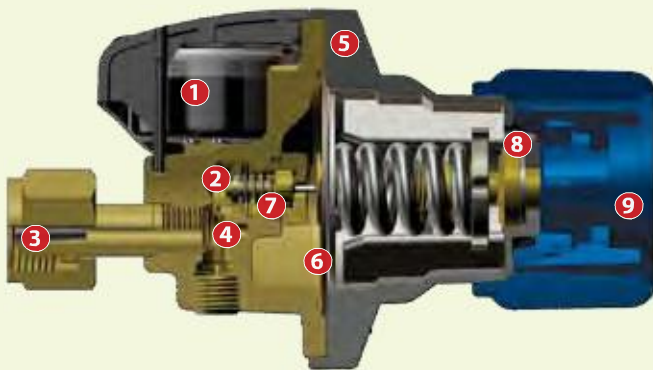


Product Features and Benefits

Innovative regulator offers industry leading safety and advanced design.



- ① Gauges are recessed into the body for the highest level of protection
- ② More efficient internal flow paths translate to improved flow consistency from full to empty cylinder
- ③ Sintered filter is standard in the inlet to prevent contamination
- ④ Innovative internal design enables the regulator to pass the stringent ASTM G 175 promoted ignition test
- ⑤ Bonnet is made from high strength zinc-aluminium alloy for increased durability
- ⑥ Fabric-reinforced neoprene diaphragm provides superior sensitivity and control
- ⑦ Seat assembly is a time tested robust design
- ⑧ Internal vent system protects regulator from environmental contaminants
- ⑨ SLAM™ adjusting knob is designed with multi-stage crumple zones which absorb impact energy from a fall

EDGE™ ESS3

Medium Capacity

DESIGN/CONSTRUCTION

- Forged brass body
- External self reseating relief valve
- 40mm high contrast steel gauges
- Meets ISO 2503



R
E
G
U
L
A
T
O
R
S

SLAM™ TECHNOLOGY



| Part Number | Description | Model No. | Gauges | Gas | PSI | Bar | Flow | Inlet Connection | Inlet Position | Outlet Connection | Max Inlet Pressure | List Price £ |
|-------------|------------------------|---------------|--------|-----------|-----|-----|------------|----------------------|----------------|-------------------|--------------------|--------------|
| 0785-2137 | Single Stage Regulator | ESS3-10b-BS3 | 2 | Oxygen | 140 | 10 | - | BS 341 no. 3 5/8" RH | Side | 3/8" RH | 300 bar | 87.50 |
| 0785-2138 | Single Stage Regulator | ESS3-4b-BS3 | 2 | Oxygen | 56 | 4 | - | BS 341 no. 3 5/8" RH | Side | 3/8" RH | 300 bar | 87.50 |
| 0785-2139 | Single Stage Regulator | ESS3-1.5b-BS2 | 2 | Acetylene | 21 | 1.5 | - | BS 341 no. 2 5/8" LH | Side | 3/8" LH | 25 bar | 87.50 |
| 0785-2140 | Single Stage Regulator | ESS3-4b-BS2 | 2 | Propane | 56 | 4 | - | BS 341 no. 3 5/8" LH | Side | 3/8" LH | 25 bar | 87.50 |
| 0785-2141 | Single Stage Regulator | ESE3-10b-BS3 | 2 | Oxygen | 140 | 10 | - | BS 341 no. 3 5/8" RH | Bottom | 3/8" RH | 300 bar | 87.50 |
| 0785-2142 | Single Stage Regulator | ESE3-4b-BS3 | 2 | Oxygen | 56 | 4 | - | BS 341 no. 3 5/8" RH | Bottom | 3/8" RH | 300 bar | 87.50 |
| 0785-2143 | Flow Gauge Regulator | ESS3-25-BS3N | 2 | Argon/CO2 | | | 0-25 l/min | BS 341 no. 3 5/8" RH | Side | 3/8" RH | 300 bar | 87.50 |
| 0785-2144 | Flow Gauge Regulator | ESE3-25-BS3N | 2 | Argon/CO2 | | | 0-25 l/min | BS 341 no. 3 5/8" RH | Bottom | 3/8" RH | 300 bar | 87.50 |

* NEVOC Fittings available on request - Add £5.00 to list price

Tel: 01257 224824 e-mail: uksales@victortechnologies.com www.victortechnologies.eu

EDGE™ Regulators

Product Features and Benefits

- ▶ Multi-stage regulators are recommended for applications that require a constant delivery pressure over a range of decreasing inlet pressures.
- ▶ This precise two stage regulation provides superior operating characteristics for applications where change in delivery pressure would affect performance characteristics of work or test results.



EDGE™ Multi-Stage Regulators

High Capacity, Two-Stage Design

Compact two-stage performance in a single-stage footprint

DESIGN/CONSTRUCTION

- Forged brass body
- Zinc-aluminum bonnet
- High impact ABS gauge guard
- 10mm high contrast steel gauges
- 69mm fabric reinforced neoprene diaphragm in 2nd stage, 19mm diameter brass piston in 1st stage
- External self reseating relief valve. Not designed to protect downstream equipment (no relief valve is needed on low pressure fuel gas models)
- Sintered inlet filter – nickel plated bronze
- SLAM™ impact absorbing safety knob
- Meets ISO 2503 ASTM G -175 promoted ignition test



R
E
G
U
L
A
T
O
R
S

| Part Number | Description | Model No. | Gauges | Gas | PSI | Bar | Inlet Connection | Inlet Position | Outlet Connection | Max Inlet Pressure | List Price £ |
|-------------|-----------------------|--------------------|--------|-----------|-----|-----|----------------------|----------------|-------------------|--------------------|--------------|
| 0785-2103 | Multi-Stage Regulator | EDGE ETS4-4B-BS3 | 2 | Oxygen | 56 | 4 | BS 341 no. 3 5/8" RH | Bottom | 3/8" RH | 300 bar | 150.00 |
| 0785-2104 | Multi-Stage Regulator | EDGE ETS4-10B-BS3 | 2 | Oxygen | 140 | 10 | BS 341 no. 3 5/8" RH | Bottom | 3/8" RH | 300 bar | 150.00 |
| 0785-2116 | Multi-Stage Regulator | EDGE ETS4-1.5B-BS2 | 2 | Acetylene | 21 | 1.5 | BS 341 no. 2 5/8" LH | Side | 3/8" LH | 25 bar | 150.00 |
| 0785-2115 | Multi-Stage Regulator | EDGE ETS4-4B-BS3 | 2 | Oxygen | 56 | 4 | BS 341 no. 3 5/8" RH | Side | 3/8" RH | 300 bar | 150.00 |
| 0785-2114 | Multi-Stage Regulator | EDGE ETS4-10B-BS3 | 2 | Oxygen | 140 | 10 | BS 341 no. 3 5/8" RH | Side | 3/8" RH | 300 bar | 150.00 |

* NEVOC Fittings available on request - Add £5.00 to list price

Tel: 01257 224824 e-mail: uksales@victortechnologies.com www.victortechnologies.eu

High Pressure Regulators

Product Features and Benefits

- ▶ A high pressure regulator that is of a robust brass construction to withstand the rigours of daily use.

This product is used in many process control applications and is suitable for both cylinder and manifold mounting. Widely used for high pressure vessel testing and purging, the GA1500 regulator is used for primary pressure regulation in many industrial, laboratory and research applications.

- ▶ All brass construction
- ▶ Up to 300 bar service
- ▶ Inlet and outlet pressure gauges to ISO 5171 for accurate gas pressure control
- ▶ Encapsulated valve on high pressure regulators
- ▶ Industrial and high purity gas options available
- ▶ 1/4" BSP Taper outlet for direct connection to high pressure flexible hose.
- ▶ Piston design for ease of pressure adjustment
- ▶ Designed and manufactured in UK.